

## PNEUMATIC SERIES - TORQUE MULTIPLIERS

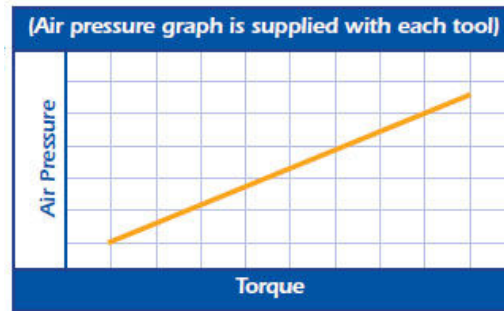
### What is a Torq/Lite® Pneumatic Wrench?



The Lubro Control Unit, 16036 is Torq/Lite®'s filter/regulator/lubricator. It is supplied with 10 feet of high quality steel braided air hose and a 4 inch pressure gauge for accurate setting.

A Torq/Lite® pneumatic torque wrench consists of a robust air motor driving a multiplier with three or more stages of epicyclic gearing.

Torque control is achieved by adjustment of the air pressure. An air pressure versus torque graph and a calibration certificate is supplied with each tool and allows specific torque values to be set. For more critical applications, Pneumatic wrenches can be fitted with a torque transducer and the precise torque output displayed. The tool can then be shut off at the desired torque either manually or automatically using suitable control circuitry.



### Why use Torq/Lite® Pneumatic Wrenches?

Hand operated torque multipliers are ideal for low volume or intermittent use or when there is no power source available. However, for production lines or whenever a large number of bolts is involved and speed is your main priority, a powered multiplier will save a considerable amount of time.

Torq/Lite® multipliers operation is quiet - less than 85dB(A) with absolutely no impacting. These two factors make Torq/Lite® multipliers comfortable for the operator to use, reducing fatigue and consequently increasing safety.

Torq/Lite® multipliers provide accurate torque control on a given joint they will stall repeatably to within +/- 5%. Using electronic shut off, this repeatability can be improved to +/- 2%.

- ▶ **Quiet** - Sound level does not exceed 85dB(A) when tested in accordance with ISO 3744:1994
- ▶ **Non Impacting** - means less damage to the tool, socket and bolted assembly.
- ▶ **Low Operator Fatigue** - results in increased safety and allows gradual and safe reaction location and gradual and safe reaction take up.
- ▶ **Powerful** - models available up to 300,000 N.m (200,000 lbf.ft).
- ▶ **Repeatability** - of +/- 5% for accurate torque control.
- ▶ **Adaptability** - a wide range of attachments and accessories make pneumatic multipliers adaptable to many applications.





## Torq/Lite® Pneumatic Wrench Applications?



The smooth and continuous torque output of our pneumatic torque wrenches make these tools suitable for a wide range of bolting and non bolting applications.

### Bolting

Pneumatic torque wrenches are suitable for tightening and untightening bolts of up to six inches in diameter. The following is just a small selection of applications:

- ▶ **Wheel nuts on trucks, buses and large machinery**
- ▶ **Structural steelwork**
- ▶ **High pressure joints such as, pipelines, boiler feed pumps and pressure vessels**
- ▶ **Engine head bolts**
- ▶ **Injector heads on plastic injection moulding machines**
- ▶ **Heat exchangers**
- ▶ **Heavy vehicle production such as chassis and suspension bolts**

### Non-Bolting

Whenever a high continuous torque is needed, use pneumatic torque wrenches as the power source. Typical applications include:

- ▶ **Ball valve operation**
- ▶ **Power wagons and gantries**
- ▶ **Barring (turning the crankshaft) of large diesel engines during build**
- ▶ **Weld testing by applying test torques**
- ▶ **Roller adjustment in steel mills and paper mills**
- ▶ **Valving of gas bottles**



---

## HIGH SPEED SERIES - PNEUMATIC MULTIPLIER

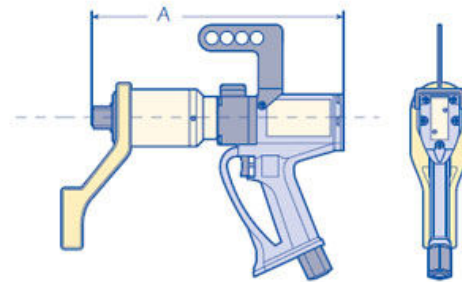
**TLSM-370, TLSM-590, TLSM-738, TLSM-1000 and TLSM-1475 Models**





Our twin motor concept gives the benefit of high run-down speeds while adding very little to the size and weight of the tool.

- ▶ **Fast** - Tool models have free speeds between 70 and 245 rpm.
- ▶ **Light Weight** - Tool models only weighs between 10 and 15.6 lbs.
- ▶ **Special Reaction Members** - are available for applications which a standard reaction arm just won't work.
- ▶ **Quiet** - less than 85 dB(A) when under load.
- ▶ **Non Impacting** - low vibration levels make these tools comfortable and safe to use.
- ▶ **3/4 and 1 Inch Square Drive** - option, is quickly and easily replaceable.
- ▶ **Locking Direction Control** - The bi-directional control knob is locked while the tool is running to prevent accidental damage to the gearbox.
- ▶ **Soft Start Trigger** - control aids socket location and allows gradual and safe reaction location.
- ▶ **Safe Operation** - gearbox can rotate independently from handle so that reaction forces are not transmitted back to the operator.



Model Number	Direction of Operation	Square Drive In .	Part Number	Range		Free Speed RPM	Length	Tool Weight lb.	Reaction Weight lb.
				N.m	Lbf.f		A in		
<b>TLSM-370</b>	Bi-directional	3/4	18100.B06	100-500	74-370	245	13.1	8.3	1.87
<b>TLSM-590</b>	Bi-directional	3/4	18101.B06	160-800	118-590	175	13.1	9.0	1.87
<b>TLSM-738</b>	Bi-directional	3/4	18102.B06	200-1000	147-738	140	14.3	13.4	1.54
<b>TLSM-1000</b>	Bi-directional	1	18103.B08	270-1350	200-1000	105	14.3	13.4	1.54
<b>TLSM-1475</b>	Bi-directional	1	18104.B08	400-2000	295-1475	70	14.3	13.4	1.54

## TLSM- 2000, TLSM-2600, TLSM-3300 and TLSM-4500 Models



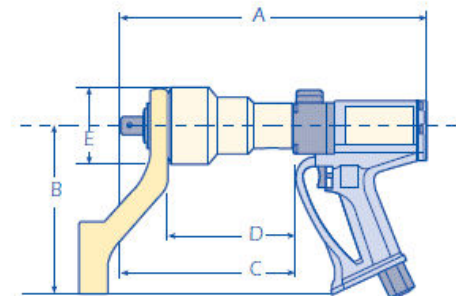


The latest extension to the Torq/Lite® tool range brings a speed advantage via the twin motor handle to higher capacity models. Coupled with new gearbox designs, these innovative models deliver an ideal balance between robustness, speed and weight.

- ▶ **Fast** - Tool models have free speeds between 57 and 25 rpm.
- ▶ **Light Weight** - Tool models only weighs between 18.7 and 29.3 lbs. All models are fitted as standard with a light but robust aluminium reaction plate
- ▶ **Special Reaction Members** - are available for applications which a standard reaction arm just won't work.
- ▶ **Quiet** - less than 85 dB(A) when under load.
- ▶ **Non Impacting** - low vibration levels make these tools comfortable and safe to use.
- ▶ **Square Drive** - is quickly and easily replaceable
- ▶ **Locking Direction Control** - The bi-directional control knob is locked while the tool is running to prevent accidental damage to the gearbox.
- ▶ **Soft Start Trigger** - control aids socket location and allows gradual and safe reaction location.
- ▶ **Safe Operation** - gearbox can rotate independently from handle so that reaction forces are not transmitted back to the operator.



TLSM-3300 makes easy work out of heavy-duty loader repairs.



Model Number	Square Drive In .	Part Number	Range		Free Speed RPM	Length					Tool Weight lb.	Reaction Weight lb.
			Nm	Lbf.f		A in	B in	C in	D in	E in		
TLSM-2000	1	18106.B08	540-2700	400-2000	57	15.2	7.0	9.5	8.0	3.6	18.7	2.97
TLSM-2600	1	18107.B08	700-3500	520-2600	41	15.2	7.0	9.5	8.0	3.6	18.7	2.97
TLSM-3300	1-1/2	18108.B12	900-4500	660-3300	32	17.9	7.7	10.9	7.8	4.6	29.3	4.8
TLSM-4500	1-1/2	18109.B12	1200-6000	885-4500	25	17.9	7.7	10.9	7.8	4.6	29.3	2.97

## SINGLE SPEED SERIES - PNEUMATIC MULTIPLIER

### Single Speed and Automatic Two Speed Models



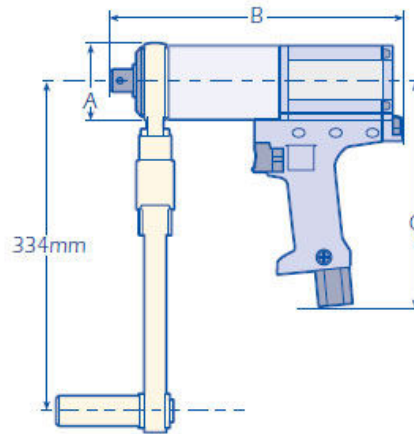


- ▶ **72 Millimeter Gearbox** - diameter allows excellent access.
- ▶ **Powerful** - up to 3300 ft-lb output.
- ▶ **Switchable** - forward and reverse operation.
- ▶ **Quiet** - less than 81 dB(A) , and non impacting for low operator fatigue.

- ▶ **Soft Start Trigger** - control aids socket location and allows gradual and safe reaction location and gradual and safe reaction take up.
- ▶ **Safety Gearbox** - can rotate independently from handle.
- ▶ Torque reaction is never transmitted back to the operator.
- ▶ **Low Pressure Operation** - All torques can be achieved at less than 6 bar (90 psi).



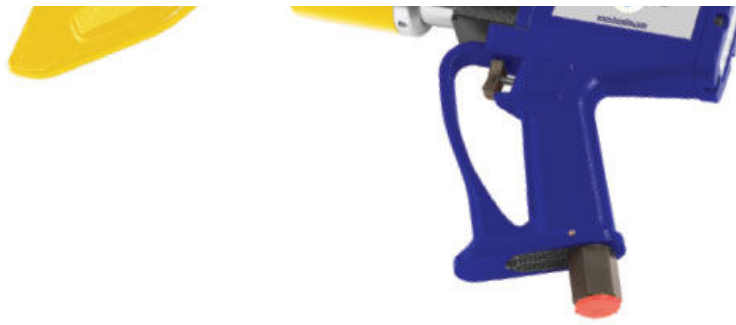
The TL-1110 is ideal for valving gas bottles.



Model Number	Square Drive In .	Part Number	Range		Free Speed RPM	Length			Tool Weight lb.	Reaction Weight lb.
			Nm	Lbf.f		A in	B in	C in		
TL-370	3/4	18023	90-500	66-370	35	2.8	11.8	8.7	14.1	3.7
TL-740 (3/4")	3/4	18023	90-1000	140-740	15	2.8	11.8	8.7	14.1	3.7
TL-740 (1")	1	18026	90-1000	140-740	15	2.8	11.8	8.7	14.1	3.7
TL-1110	1	18021	90-1500	220-1110	15	2.8	11.8	8.7	14.1	3.7
TL-1450	1	18033	90-2000	300-1450	15	2.8	11.8	8.7	14.1	3.7
TL-3300	1-1/2	18108.B12	900-4500	660-3300	32	4.6	17.9	7.7	29.3	4.8

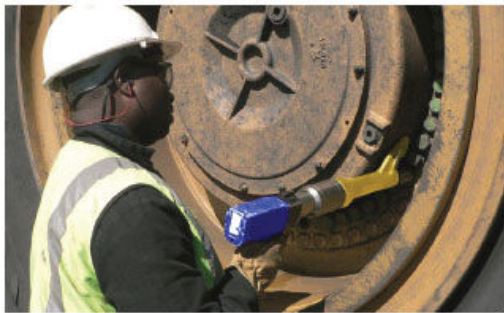
## WHEEL NUT SERIES - PNEUMATIC MULTIPLIER



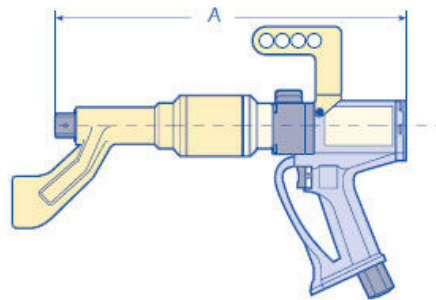


Torq/Lite® Wheel Nut Series tool was designed to meet the needs of the commercial vehicle wheel market. The integrated reaction foot is designed specifically to reach recessed wheel bolts and the 2.8 in diameter gearbox is selected to cope with the high frequency of use demanded by busy tire shops.

- ▶ **Fast** - Tool models have free speeds of 70 and 140 rpm for rapid bolt run-down.
- ▶ **Light Weight** - Tool models weighs only 15.8 and 16.9 lbs. .
- ▶ **Extended Reaction Bar** - is ideal for reaching recessed nuts.
- ▶ **Quiet** - less than 85 dB(A) when under load.
- ▶ **Non Impacting** - low vibration levels make these tools comfortable and safe to use.
- ▶ **Square Drive** - is quickly and easily replaceable
- ▶ **Locking Direction Control** - On Bi-directional tools, the direction control knob is locked while the tool is running to prevent accidental damage to the gearbox.
- ▶ **Soft Start Trigger** - control aids socket location and allows gradual and safe reaction location.
- ▶ **Safe Operation** - gearbox can rotate independently from handle so that reaction forces are not transmitted back to the operator.



TLWT-1475 one inch square drive on its extended reaction bar easily reaches stubborn, deep recessed lug nuts.



Model Number	Direction of Operation	Square Drive In .	Part Number	Range		Free Speed RPM	Length	Tool Weight lb.	Reaction Weight lb.
				N.m	Lbf.f		A in		
<b>TLWT-738</b>	Bi-directional	3/4	18140.B06	200-1000	147-738	140	19.0	15.8	N/A
<b>TLWT-1475</b>	Bi-directional	1	18141.B08	400-2000	295-1475	70	19.9	16.9	N/A

[↶ back to top](#)