



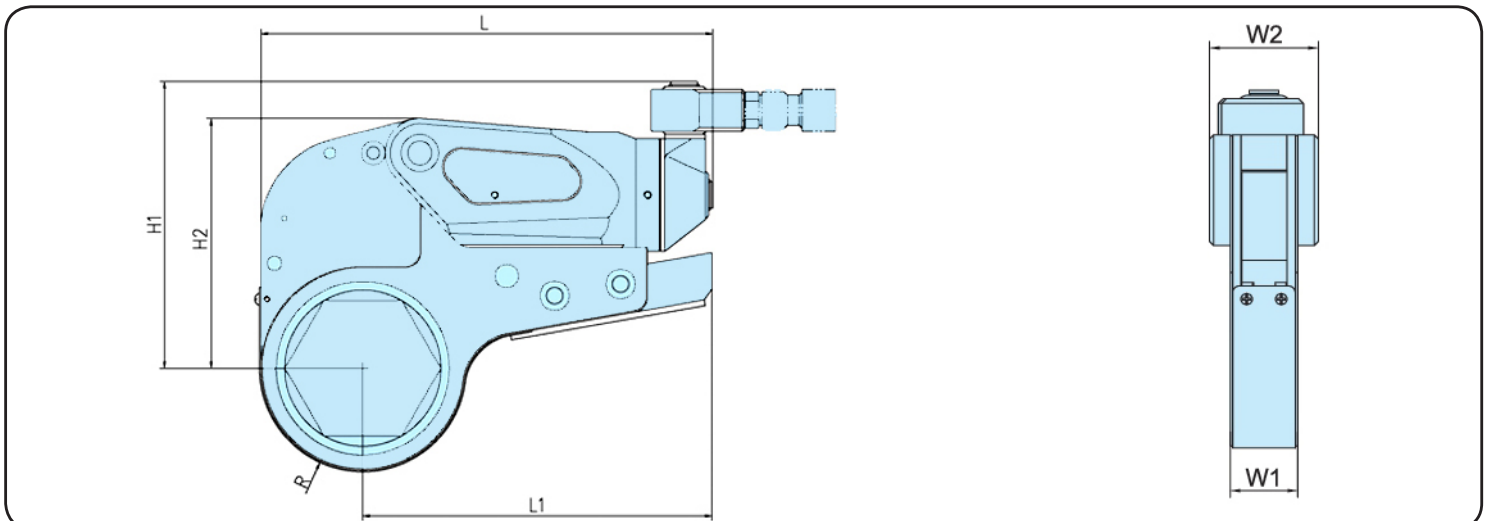
# PTLC - Low Clearance Hydraulic Torque Wrench

- ProTOrC PTLC Low Clearance Hydraulic Torque Wrenches are manufactured using high grade aluminium-titanium alloy and high strength alloy
- Equipped with a 360 x 270 degree uni-swivel coupling eradicating hose kinking
- The tools ultra-thin profile and light weight enables it to be used in confined areas where access may be restricted
- Required torque is maintained due to the anti-reverse pawl design which prevents the ratchet returning
- Torsion resistant housing and torsion free operation
- Quick-Torc lever design enables rapid cycle
- User friendly design enables fast switching of cassette links
- Two Year Manufacturers Warranty \*



	PTLC02	PTLC05	PTLC10	PTLC20	PTLC25	PTLC40
<b>Max Torque</b>	2534Nm	5392Nm	10452Nm	16245Nm	22899Nm	40639Nm
<b>Min Torque</b>	244Nm	489Nm	1017Nm	1724Nm	2247Nm	4064Nm
<b>Hex Size (mm)</b>	27 - 50	27 - 65	50 - 90	85 - 115	95 - 135	100 - 155
<b>Power Head</b>	PTLCH02	PTLCH05	PTLCH10	PTLCH20	PTLCH25	PTLCH40
<b>Link Name</b>	PTLCL02-***	PTLCL05-***	PTLCL10-***	PTLCL20-***	PTLCL25-***	PTLCL40-***
<b>L (mm)</b>	205	251.3	302.5	367	400.5	457.5
<b>L1 (mm)</b>	147	188	233	283	308	364
<b>H1 (mm)</b>	129	163	191	223	246	282
<b>H2 (mm)</b>	100	136	166.5	198	224	265
<b>W1 (mm)</b>	32	41	53	64	70	84
<b>W2 (mm)</b>	50	66	83	99	110	132
<b>R (mm)</b>	41.3	53.8	68.8	85.3	98.8	115.8
<b>Weight (kg)</b>	2.2	5	9.6	16.9	22.9	38

\*\*\* Please refer to Hex Links & Reducers information on Pg: 4-5



\* Conditions apply - contact ProTOrC for more information